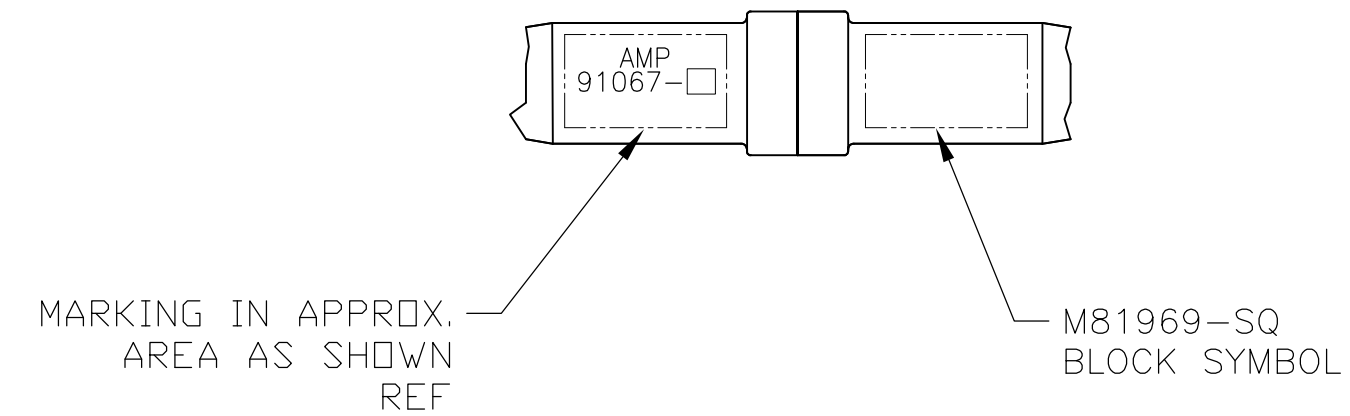
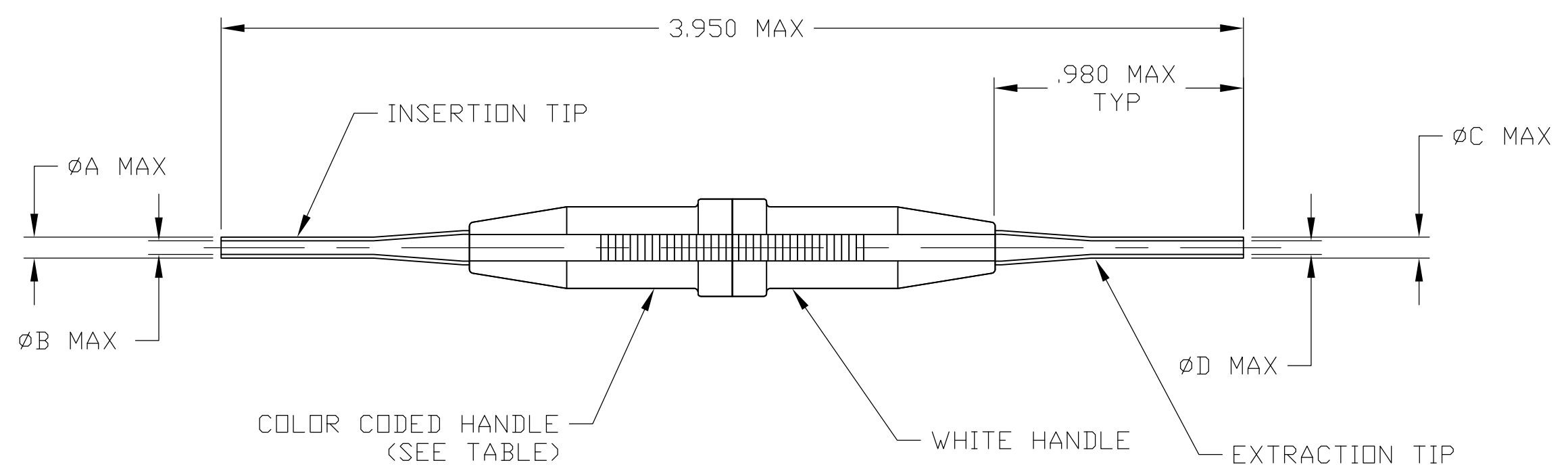


THIS DRAWING IS UNPUBLISHED. RELEASED FOR PUBLICATION N/A ,N/A .  
 © COPYRIGHT N/A BY TYCO ELECTRONICS CORPORATION. ALL RIGHTS RESERVED.

|     |      |           |     |                       |         |     |      |
|-----|------|-----------|-----|-----------------------|---------|-----|------|
| LOC | DIST | REVISIONS |     |                       |         |     |      |
| DF  | AO   | P         | LTR | DESCRIPTION           | DATE    | DWN | APVD |
|     |      |           | E   | REV PER ECO-08-003469 | 08APR08 | TK  | CT   |



1. FOR CORRECT TOOL USAGE SEE INSTRUCTION SHEET: I. S. 408-7508

|                       |       |       |       |       |            |      |             |
|-----------------------|-------|-------|-------|-------|------------|------|-------------|
| M81969/1-02           | .072  | .087  | .072  | .085  | RED        | 20   | 91067-2     |
| M81969/1-04           | .053  | .065  | .056  | .065  | GREEN      | 22   | 91067-1     |
| MILITARY PART NO. REF | DIM D | DIM C | DIM B | DIM A | COLOR CODE | SIZE | PART NUMBER |

THIS DRAWING IS A CONTROLLED DOCUMENT.

|                  |              |           |   |
|------------------|--------------|-----------|---|
| DWN              | C.C.THOMAS   | 08AUG2002 | Tyco Electronics Corporation<br>Harrisburg, PA 17105-3608 |
| CHK              | S.GLATFELTER | 8-12-02   |   |
| APVD             | S.GLATFELTER | 8-12-02   |   |
| PRODUCT SPEC     |              |           | NAME  |
| APPLICATION SPEC |              |           | INSERTION/EXTRACTION TOOL                                 |
| WEIGHT           |              |           | SIZE  |
| MATERIAL         |              |           | CAGE CODE   |
| FINISH           |              |           | DRAWING NO  |
| RESTRICTED TO    |              |           | REV   |

PLASTIC & STEEL NICKEL PLATED

CUSTOMER DRAWING SCALE 2:1 SHEET 1 OF 1 REV E